

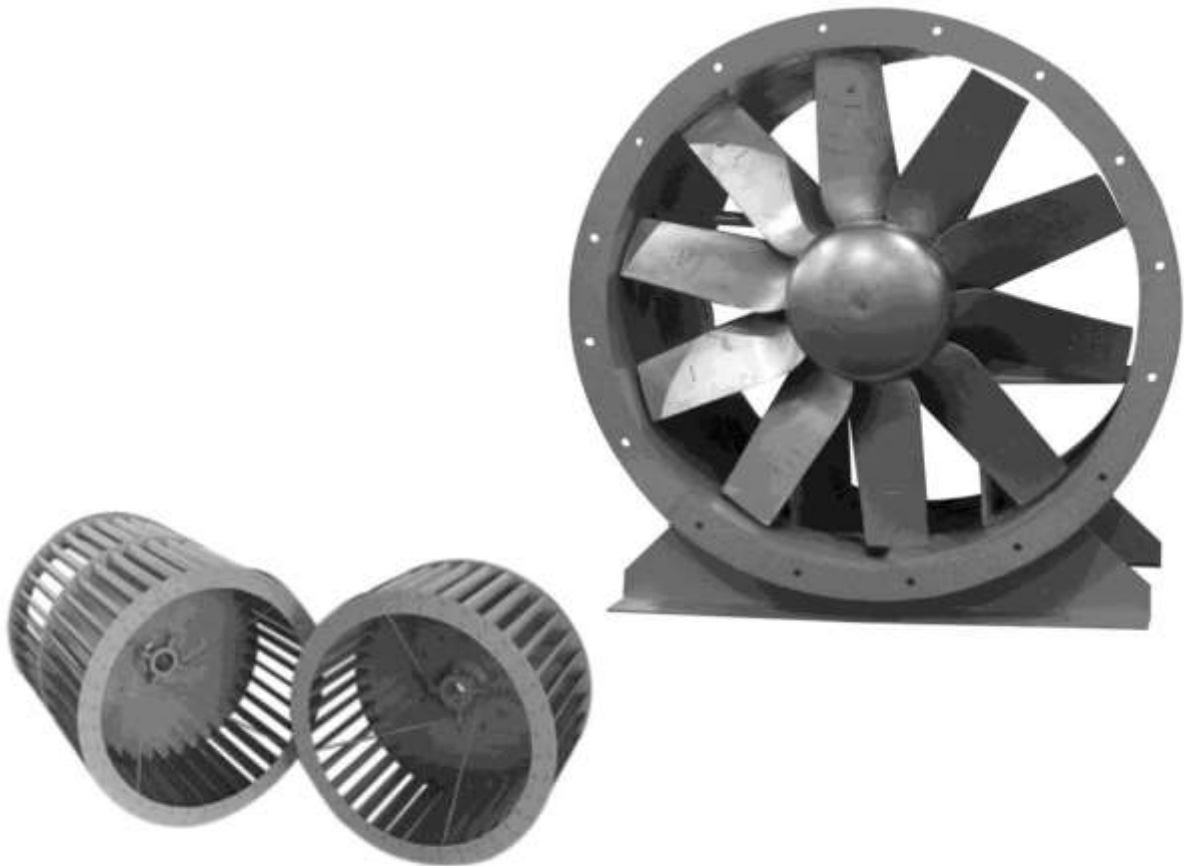
## FAN

Fans are manufactured in two main groups, axial fans and centrifugal fans. In axial fans air flow direction is parallel to the fan axis. The types of axial fans depend on blades, shape, form, material and air flow direction.

Centrifugal fans manufactured by **ISFAHANDAMA** are as the following types:

- Forward curved blades SWSI
- Forward curved blades DWDI
- Backward curved blades SWSI
- Backward curved blades DWDI
- Backward inclined blades

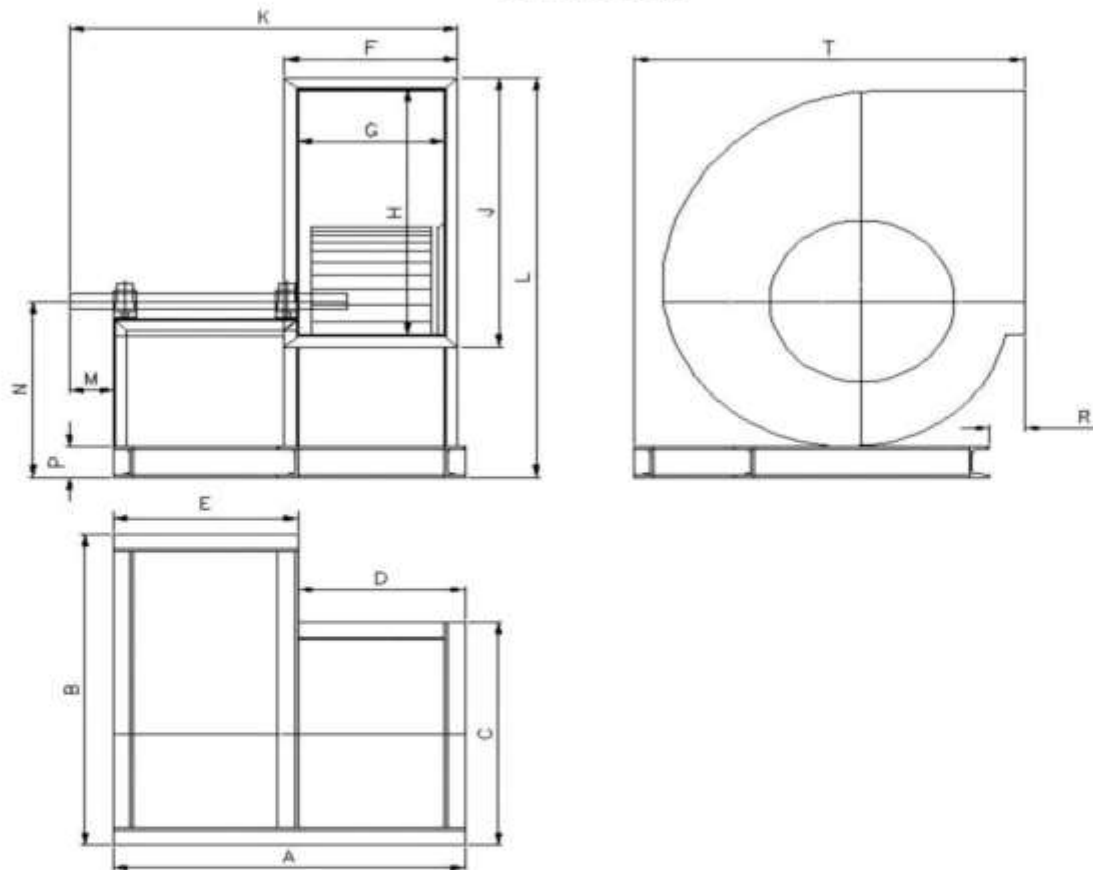
Performance, characteristics, and dimensions are given in the related catalogs.



## UTILITY CENTRIFUGAL FAN

### Forward Curved Blades

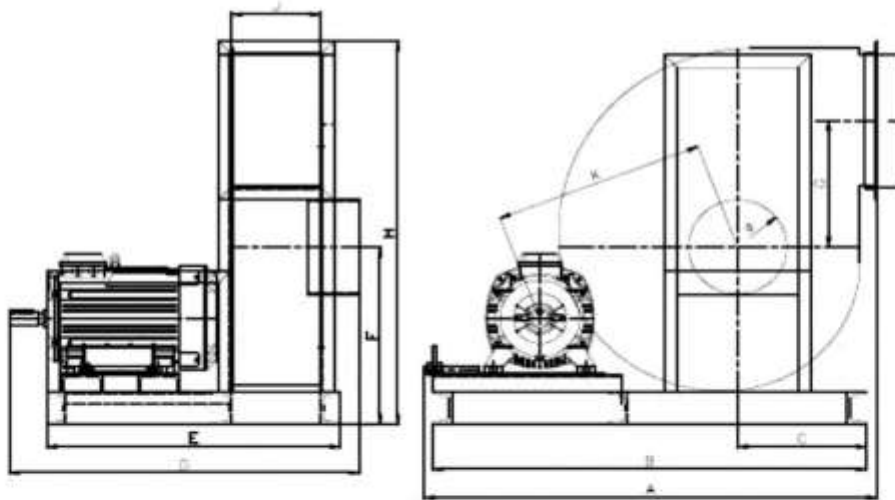
### Dimensions



MODEL	A	B	C	D	E	F	G	H	J	K	L	M	N	P	R	T
IDFC - 230	535	495	265	205	325	240	180	290	350	615	530	80	245	65	60	555
IDFC - 250	565	590	380	235	330	260	200	325	385	640	570	80	260	65	20	610
IDFC - 280	585	575	380	250	335	275	215	360	420	660	625	80	280	65	40	615
IDFC - 315	630	600	415	270	360	295	235	400	465	720	690	100	305	65	45	645
IDFC - 355	650	685	450	290	360	315	255	455	515	740	760	100	335	65	50	740
IDFC - 400	710	720	490	310	400	340	280	500	565	810	840	100	370	65	65	790
IDFC - 450	745	760	540	340	405	370	310	570	630	840	935	100	405	65	70	840
IDFC - 500	875	900	610	405	470	425	365	640	700	995	1040	120	460	80	80	990
IDFC - 560	900	930	685	435	465	455	395	710	770	1020	1150	120	500	80	80	1020
IDFC - 630	935	1020	765	475	460	490	430	800	860	1050	1275	120	550	80	85	1120
IDFC - 710	1050	1100	945	540	510	545	485	900	960	1155	1460	120	650	120	90	1200
IDFC - 800	1180	1125	1040	610	570	635	555	1000	1085	1280	1740	120	720	120	110	1235
IDFC - 900	1355	1260	1120	695	660	740	640	1125	1225	1470	1820	120	800	120	90	1350
IDFC - 1000	1450	1230	1065	725	725	770	670	1255	1355	1570	1950	120	830	120	170	1405

## Centrifugal Fan Backward Curved Blades

### SWSI



### DIMENSIONS

CW 90  
CCW 90

MODEL	A	B	C	D	E	F	G	H	I	J	ø	K
IDFB - 280	790	750	220	630	520	330	220	690	210	160	ø 160	340
IDFB - 315	880	850	250	670	550	360	240	760	260	160	ø 180	400
IDFB - 355	980	940	270	710	600	390	270	840	290	180	ø 200	460
IDFB - 400	1060	1010	300	810	680	430	310	930	320	210	ø 230	490
IDFB - 450	1100	1050	340	890	740	470	350	1030	370	230	ø 260	510
IDFB - 500	1320	1260	370	1060	880	520	380	1150	410	260	ø 290	650
IDFB - 560	1170	1100	400	940	800	590	460	1290	410	290	ø 330	550
IDFB - 630	1660	1570	440	1110	950	660	500	1440	480	320	ø 370	840
IDFB - 710	1690	1580	480	1130	960	730	560	1610	540	360	ø 420	920