



اصفهان دما  
ISFAHAN DAMA Co.



# General Catalogue



[www.isfahandama.com](http://www.isfahandama.com)

[info@isfahandama.com](mailto:info@isfahandama.com)



**اصفهان دما**  
**ISFAHAN DAMA Co.**



In a world that knowledge and technology is proceeding with expedite growth to improve mankind life quality , and the notion of human realize under shadow of knowledge , speciality and modern technology , we intended to ful fill some parts of our society needs .

**ISFAHANDAMA** corporation with having modern knowledge and equipments , also diligent and active proficient and personnel with attendance to all staffs and customers point of view , with annual innovation and improve the quality of products , could find a place in HVAC industry in IRAN .

We wish with help of god and with continuing of colleague efforts and diligent personnel , will be able to participate at self reliance of our beloved IRAN .

#### به نام پروردگار مهر

در دنیایی که علم و فن آوری با رشدی شتابان و روز افزون به سوی تعالی و بهبود بخشیدن به کیفیت زندگی بشری پیش می رود و اندیشه آدمی در سایه علم و تخصص و فن آوری های روز تحقق می یابد برآن شدیم تا گوشه ای از نیاز های امروز جامعه خود را بر آورده سازیم .

**شرکت اصفهان دما** با برخورداری از دانش روز ، تجهیزات به روز ، متخصصان متعهد به جامعه خویش و پرسنل کوشا و ساعی با بهره مندی از آرا و نقطه نظرات کارکنان و خریداران خود با نوآوری های هرساله و ارتقاء کیفیت تولیدات توانسته است جایی در صنعت تأسیسات و تهویه مطبوع ایران بیابد . امید است به یاری پروردگار با ادامه تلاش های یکایک همکاران و پرسنل تلاشگر بتوانیم در خودکفایی ایران عزیز شریک باشیم .

**Mohamad Panahi**

محمد پناهی



**4**

Liquid Chiller



**6**

Packaged Unit



**8**

Air Cooled Condenser



**10**

Air Handling Unit



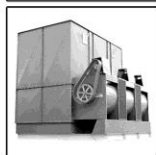
**12**

Air Washer



**14**

Cooling Tower Cross Flow



**15**

Cooling Tower Counter Flow



**17**

Cooling Tower Closed Circuit



**18**

Cooling Tower Fiber Glass Bottle Type



**20**

Cooling Tower Fiber Glass Cubic Type



**22**

Zent



**24**

Unit Heater



**26**

Unit Heater Gas Fired



**27**

Warm Air Furnace



**28**

Heater Cooler



**29**

Econopack



**31**

Evaporative Cooler



**33**

Super Cooler



**35**

Heating Cooling Coils



**36**

Fan



**37**

Utility Centrifugal Fan



**39**

Power Roof Ventilator

## Liquid Chiller

Liquid Chillers are manufactured in 5 to 300 tons of refrigeration. Chillers are generally in two major type :

- 1- Water Cooled
- 2- Air Cooled

Chillers are fabricated from compressors , condensers , evaporators , expansion valves and other control elements . all are provided from main famous producers from U.S.A. and Europe.

Chillers are made of single to six compressors and sequence of controls are given in its catalog .

### **Features :**

- Compressors are hermetic , semi hermetic reciprocating , scroll and screw types.
- Evaporators are brazed plate heat exchanger or shell and tube types.
- Condensers are brazed plate heat exchanger or shell and tube types.
- Optional digital controller for interfacing with BMS systems .



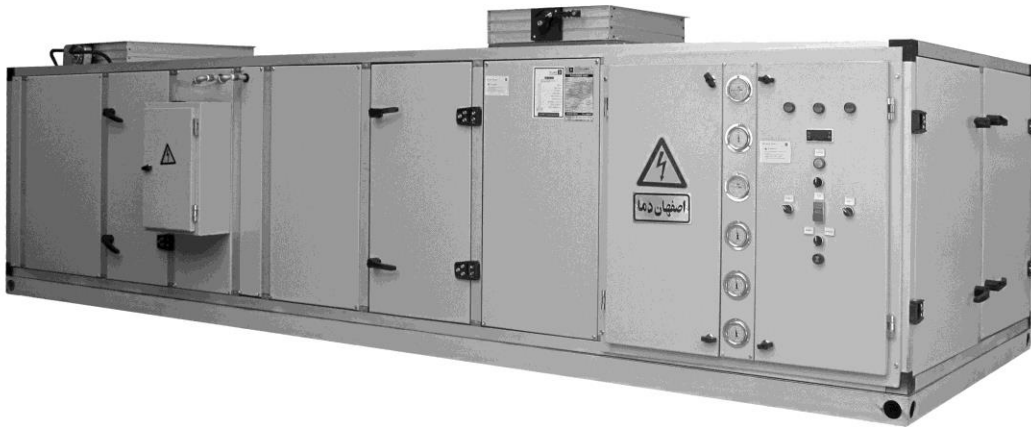
**Tech. spec. RECIPROCATING LIQUID CHILLER**

IRLC		COMPRESSOR				Cap. MBH	Refrigerant Charge kg.		Oil charge lit.	Weight kg.	
		CIRCUIT 1		CIRCUIT 2			Circ 1	Circ 2		Shipping	Oper.
		NO.	HP	NO.	HP						
5 - 1	W	1	5	---	---	60	4.7	---	2.2	400	360
	A	1	5	---	---	54					
7.5 - 1	W	1	7.5	---	---	88	6	---	2.8	510	400
	A	1	7.5	---	---	78					
10 - 1	W	1	10	---	---	116	7.5	---	3.4	600	460
	A	1	10	---	---	104.4					
15 - 1	W	1	15	---	---	157.2	12	---	3.4	720	540
	A	1	15	---	---	143					
20 - 1	W	1	20	---	---	188.4	17	---	3.6	800	600
	A	1	20	---	---	171.6					
25 - 1	W	1	25	---	---	234	17.5	---	4.0	840	620
	A	1	25	---	---	211.2					
30 - 1	W	1	30	---	---	288	19	---	4.0	980	745
	A	1	30	---	---	264					
35 - 1	W	1	35	---	---	343.2	21	---	6.1	1040	810
	A	1	35	---	---	308.4					
40 - 1	W	1	40	---	---	395	23	---	7.4	1100	890
	A	1	40	---	---	352.8					
50 - 1	W	1	50	---	---	496.8	30	---	8	1400	1100
	A	1	50	---	---	427.2					
20 - 2	W	1	10	1	10	226	13	13	6.8	1150	930
	A	1	10	1	10	194					
30 - 2	W	1	15	1	15	306	14	14	6.8	1300	1020
	A	1	15	1	15	267					
40 - 2	W	1	20	1	20	372	15	15	7.2	1450	1100
	A	1	20	1	20	340.8					
50 - 2	W	1	25	1	25	465.6	16	16	8.0	1500	1140
	A	1	25	1	25	418.8					
60 - 2	W	1	30	1	30	556.8	17	17	8.0	1700	1300
	A	1	30	1	30	506.4					
70 - 2	W	1	35	1	35	681.6	18	18	11.7	1780	1420
	A	1	35	1	35	612					
80 - 2	W	1	40	1	40	795.6	19	19	14.8	1900	1530
	A	1	40	1	40	717.6					
100 - 2	W	1	50	1	50	994.8	22	22	16	2060	1700
	A	1	50	1	50	900					
30 - 3	W	2	10	1	10	310.8	21	13	10.2	1650	1170
	A	2	10	1	10	272					
45 - 3	W	2	15	1	15	437	22	14	10.2	1750	1300
	A	2	15	1	15	382					
60 - 3	W	2	20	1	20	564	25	15	11.0	2130	1620
	A	2	20	1	20	495.6					
75 - 3	W	2	25	1	25	699.6	28	17	12.0	2260	1780
	A	2	25	1	25	614.4					
90 - 3	W	2	30	1	30	835.2	35	17.5	12.0	2550	2050
	A	2	30	1	30	732					
105 - 3	W	2	35	1	35	1006.8	36	18	18	2600	2170
	A	2	35	1	35	889.2					
120 - 3	W	2	40	1	40	1178.4	39	23	22.2	2900	2300
	A	2	40	1	40	1045.2					
150 - 3	W	2	50	1	50	1476	44	22	24	3250	2700
	A	2	50	1	50	1308					
80 - 4	W	2	20	2	20	745.2	25	25	14.4	2600	2100
	A	2	20	2	20	662.4					
100 - 4	W	2	25	2	25	940.8	28	28	16.0	3000	2400
	A	2	25	2	25	835.2					
120 - 4	W	2	30	2	30	1105.2	31	31	16.0	3300	2800
	A	2	30	2	30	976.8					
140 - 4	W	2	35	2	35	1339.2	36	36	24	3500	2950
	A	2	35	2	35	1186.8					
160 - 4	W	2	40	2	40	1572	39	39	29.6	3850	3100
	A	2	40	2	40	1395.6					
200 - 4	W	2	50	2	50	1994.4	44	44	32	4400	3500
	A	2	50	2	50	1764					
240 - 6	W	3	40	3	40	2350.8	63	63	44.4	4800	3800
	A	3	40	3	40	2064					
300 - 6	W	3	50	3	50	274.2	66	66	48	5700	4600
	A	3	50	3	50	2478					

## Packaged Unit

### Features :

- Capacity 5 to 80 tons of refrigeration
- Air delivery : 1000 to 36000 CFM
- Full fresh air and mixed fresh and return air types .
- AL washable pre filter . ( other types of filters per order )
- Horizontal packaged and split types . air or water cooled .
- Vertical split type , air or water cooled .
- Aluminum structure and galvanized sheet metal body .
- Electrostatic powder coating and finishing .
- Equipped with heating and DX cooling coils to compensate building loads .
- Parts are the same as those in chillers .



**PACKAGED UNIT  
HORIZONTAL AIR COOLED ( ROOF TOP )**

MODEL	CAP. Ton	Fan			Evaporator			Condenser				Filter		Elec. Data		Dimensions					
		Comp No.	Size FC -	F.A. ft <sup>2</sup>	Row	FPI	No.	DIA.	RPM	CFM	No.	Row	F.A. ft <sup>2</sup>	ft <sup>2</sup>	Thickness mm	KW	AMP	L	W	H	
IPU 5 - 1A	5	1	2000	315	4	4	8	1	630	900	5400	1	3	12.15	4	25	8	16	2400	1200	1200
IPU 8 - 1A	8	1	3200	400	6.4	4	8	2	630	900	8500	1	3	17	6.8	25	12	24	2800	1400	1400
IPU 10 - 1A	10	1	4000	400	8	4	8	2	630	900	12000	1	3	22.75	8	25	15	30	300	1400	1400
IPU 15 - 1A	15	1	5500	500	11	4	8	2	700	900	18400	2	3	31.25	12	25	22	40	3300	1920	1700
IPU 20 - 1A	20	1	7200	560	14.4	4	8	4	630	900	24000	2	3	50	14.4	25	24	44	3500	2100	1700
IPU 25 - 1A	25	1	8500	560	17.0	4	8	4	630	900	24000	2	3	50	17	25	29	56	3900	2300	1700
IPU 30 - 1A	30	1	10000	630	20.0	4	8	4	700	900	36800	2	3	58.74	20	25	33	63	3900	2600	1700
IPU 35 - 1A	35	1	13500	630	27.0	4	8	4	700	900	36800	2	3	58.74	27	25	44	84	4300	2600	1880
IPU 40 - 1A	40	1	14500	710	29.0	4	8	6	700	900	55200	2	3	80.72	29	25	55	105	4900	1400	2200
IPU 10 - 2A	10	2	4000	400	8	4	8	2	630	950	12000	1	3	22.75	8	25	15	31	3000	1920	1400
IPU 15 - 2A	15	2	5500	500	11	4	8	2	700	900	18400	2	3	31.25	12	25	24	44	3300	1920	1700
IPU 20 - 2A	20	2	7200	560	14.4	4	8	4	630	900	24000	2	3	50	14.4	25	30	60	3500	2300	1700
IPU 30 - 2A	30	2	10000	630	20.0	4	8	4	700	900	36800	2	3	58.74	20	25	40	82	3900	2600	1700
IPU 40 - 2A	40	2	14500	710	29.0	4	8	6	700	900	55200	2	3	80.72	29	25	50	100	4900	2600	2200
IPU 50 - 2A	50	2	17500	710	35.0	4	8	6	700	900	55200	2	3	80.72	36	25	60	118	6100	2600	2400
IPU 60 - 2A	60	2	20000	800	40	4	8	8	700	900	73600	4	3	100	40	25	70	130	6800	2600	2400
IPU 70 - 2A	70	2	25000	800	50	4	8	8	700	900	73600	4	3	117.48	50	25	88	151	7600	2800	2400
IPU 80 - 2A	80	2	30000	800	60	4	8	12	700	900	102000	4	3	135	60	25	105	170	8400	2800	2400

## Air Cooled Condenser

- Capacity 55 to 1331 MBH .
- Coils in V-type or flat installations.
- One to 10 axial flow fans installed , controlled from the main unit Control Panel .
- Equipped with receiver for pump down purposes .
- Coils are made of copper tubes and aluminum fins ( copper fins as option ) in spiral or plate types.
- Axial fans and motors are statically and dynamically balanced and equipped with fan guard.
- Aluminum structure and galvanized sheet metal body .
- Electrostatic powder coating and finishing .





## Air Cooled Condenser

### ENGINEERING DATA

MODEL	FAN					COIL			REF. CHARGE R22		WEIGHT Kg
	No.	DIA.	CFM	RPM	Motor KW EACH	No.	Row	F.A. Ft <sup>2</sup> (Total)	Charge	Pump Down CAP.	
IAC - 55	1	630	4400	950	0.75	1	3	7.6	3	9	166
IAC - 75	1	710	5600	950	1.1	1	3	9.2	4	12	200
IAC - 95	1	760	7200	950	1.1	1	3	11.6	5	16	254
IAC - 115	1	800	9000	950	1.5	1	3	14.4	6	21	295
IAC - 140	1	915	12000	950	2.2	1	3	20	7	25	320
IAC - 200	2	760	14400	950	1.1	2	3	24	10	35	430
IAC - 300	4	630	21600	950	1.1	2	3	36	14	50	580
IAC - 400	4	760	29000	950	1.1	2	3	48	20	65	825
IAC - 500	5	760	36000	950	1.1	2	3	66	25	75	1030
IAC - 600	6	760	44000	950	1.1	2	3	72	30	95	1160
IAC - 800	8	760	58000	950	1.1	4	3	98	38	125	1675
IAC - 1000	10	760	72000	950	1.1	4	3	124	48	150	2000
IAC - 1200	8	915	90000	950	2.2	4	3	148	55	190	2410
IAC - 1400	8	915	90000	950	2.2	4	4	148	75	250	2750

## Air Handling unit

### Features :

- Air delivery from 1600 to 56000 CFM .
- Casing is made of aluminum profiles and relative corners and connections .
- Panels are galvanized sheet metals and painted with electrostatic powder coating .
- Fan Section Panels are Isolated By Elastomeric Insulating materials .
- Dampers are aluminum frame and blades with rubber sealing for tightness , opposed blade type .
- Motors are from motogen or famous european brands .
- Fan is made of galvanized sheet metal and statically and dynamically balanced .
- Coils are 1 to 8 rows , 5/8" copper tubes and aluminum fins ( spiral or plate ) tested and painted .
- Aluminum flat or v-type 1" or 2" thick washable filters . other types of filters as required .



### Air Handling Unit

Model No.	Nominal Air Delivery CFM	Fan		Coil		Filter		Dim. ( Cm)		
		No.	Dia. mm	No.	Face Area Ft <sup>2</sup>	V – Type Ft <sup>2</sup>	Flat Ft <sup>2</sup>	W	L	H
ID –AHU – 20	2000	1	315	1	4.04	6.6	4	120	220	93
ID –AHU – 35	3500	1	400	1	7.23	12	8.2	140	260	108
ID –AHU – 50	5000	1	500	1	10.33	17	10	150	280	135
ID –AHU – 75	7500	1	560	1	15.79	25	15	192	315	152
ID –AHU – 100	10000	1	630	1	20.49	33	20	192	320	162
ID –AHU – 150	15000	1	710	2	31.38	50	30	230	345	209
ID –AHU – 200	20000	1	800	2	40.04	66	40	245	370	211
ID –AHU – 250	25000	2	630	4	50.08	80	50	340	330	211
ID –AHU – 300	30000	2	710	4	59.92	100	60	390	345	213
ID –AHU – 400	40000	2	800	4	80.08	135	80	500	370	213

## Air Washer

Air washers in addition to be as a kind of filter , are used as cooling , heating , humidifier units in conjunction with **ISFAHANDAMA** air handling units .

### Features :

- Basins are made of galvanized steel sheet metals with proper thickness and epoxy painted .
- Body is made of galvanized steel sheet metal and fabricated by galvanized bolts and nuts .
- Piping is galvanized or P.P. Material .
- Nozzles are brass , Polycarbonate. or S.S. Diffusers.
- Pumps are submersible inside Preinstalled .
- Eliminators are galvanized or PVC.
- Single bank For class 4 and 6 .
- double bank For class 8 .



**AIR WASHER PHYSICAL DATA**

Model NO.	Nominal CFM	Fan		Filter		Class	Spray Water			Pump				Width mm	Height mm	Length mm
		QTY	Dia. mm	V-Type Ft <sup>2</sup>	Flat-Type Ft <sup>2</sup>		GPM	Spray	Nozzle No.	Flooding	NO.	Model	Kw			
IDAW - 20	2000	1	315	6.6	4	4	8	6	---	1	32-250	1.5	1450	1200	1750	2500
						6	17	8	2	1	32-250	2.2	1450			
						8	24	12	2	1	32-250	2.2	1450			
IDAW - 35	3500	1	400	12	7	4	14	10	---	1	32-250	2.2	1450	1200	1750	2500
						6	28	12	3	1	32-250	2.2	1450			
						8	40	22	3	1	32-250	2.2	1450			
IDAW - 50	5000	1	500	17	10	4	20	15	---	1	32-250	2.2	1450	1200	1750	2500
						6	39	20	4	1	40-250	2.2	1450			
						8	57	32	4	1	40-250	3	1450			
IDAW - 75	7500	1	560	25	15	4	30	20	---	1	40-250	2.2	1450	1200	1750	2500
						6	56	30	5	1	40-250	3	1450			
						8	82	50	5	1	40-250	3	1450			
IDAW-100	10000	1	630	33	20	4	40	28	---	1	40-250	3	1450	1200	1750	2500
						6	73	42	6	1	40-250	3	1450			
						8	108	60	6	1	50-250	4	1450			
IDAW-150	15000	1	710	50	30	4	60	40	---	1	40-250	3	1450	1200	1750	2500
						6	103	56	6	1	50-250	4	1450			
						8	156	96	6	1	50-315	5.5	1450			
IDAW-200	20000	1	800	66	40	4	80	60	---	1	50-250	4	1450	1200	1750	2500
						6	134	80	7	1	50-315	4	1450			
						8	204	128	7	1	65-250	7.5	1450			
IDAW-250	25000	2	630	80	50	4	100	72	---	1	50-315	4	1450	1200	1750	2500
						6	167	100	10	1	50-315	5.5	1450			
						8	255	160	10	1	65-315	7.5	1450			
IDAW-300	30000	2	710	100	60	4	120	90	---	1	50-315	5.5	1450	1200	1750	2500
						6	201	120	12	1	65-250	7.5	1450			
						8	306	192	12	1	65-315	11	1450			
IDAW-400	40000	2	800	135	80	4	160	108	---	1	50-315	7.5	1450	1200	1750	2500
						6	265	160	14	1	65-315	7.5	1450			
						8	405	256	14	1	80-250	11	1450			

## Cooling Tower

### Cross Flow ( induced draft )

- Capacity from 10 to 224 tons .
- Basins are made of galvanized steel sheets with proper thickness and epoxy painted .
- Body is made of galvanized steel sheets and fabricated by galvanized bolts and nuts .
- Fillings and eliminators are treated woods
- Fans are axial flow type , galvanized blades and balanced .
- Motors are motogen : 380 – 3 – 50

#### Engineering Data

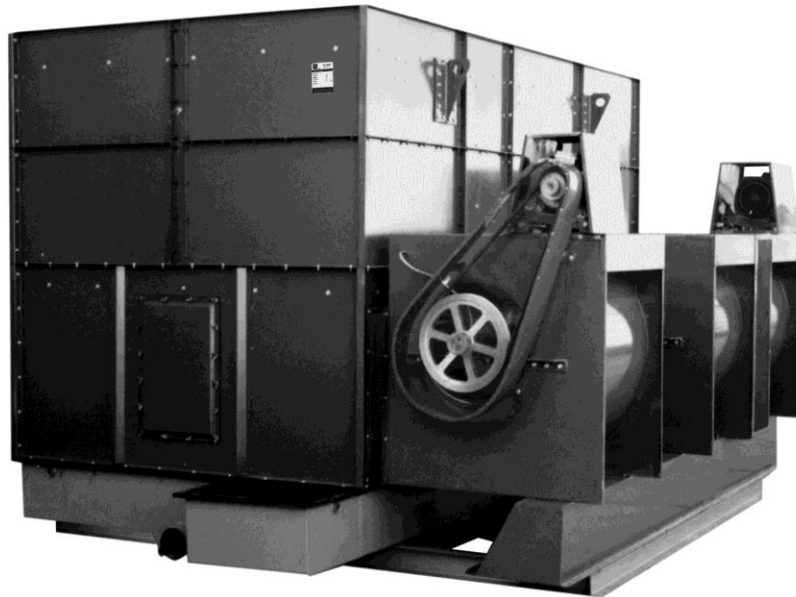
TOWER MODEL	Nominal Cap. Tons	CONNECTION DATA (inch)			MOTOR H.P.	PUMP HEAD Ft.	Dim.			WEIGHT (kg)	
		W.Out.	Drain & OverFlow	Float Valve			W	L	H	Shipping	Operating
ICT – 10	10	2	2	1/2	0.5	5.1	70	135	130	200	400
ICT – 14	14	2	2	1/2	1.0	5.5	90	135	170	250	500
ICT – 22	22	2	2	1/2	1.5	5.8	90	135	170	300	600
ICT – 29	29	3	2	1/2	1.5	5.8	130	135	190	500	1000
ICT – 37	37	4	2	1/2	2	6.5	130	175	190	700	1500
ICT – 44	44	4	2	1/2	3	8.1	130	255	190	800	1800
ICT – 59	59	4	2	1/2	3	8.2	190	220	190	900	2000
ICT – 75	75	4	2	1/2	4	8.2	190	255	190	1000	2200
ICT – 89	89	4	2	1/2	5.5	8.6	190	255	230	1200	2400
ICT – 112	112	6	2	3/4	7.5	9.1	190	255	250	1500	3000
ICT-75-2	150	6	2	3/4	2- 4	8.2	370	255	190	2000	4400
ICT-89-2	178	6	2	3/4	2- 5.5	8.6	370	255	230	2400	4800
ICT-112-2	224	6	2	3/4	2- 7.5	9.1	370	255	230	3000	6000



## Cooling Tower

### Counter Flow ( forced draft )

- Capacity from 10 to 1140 tons .
- Basins are made of galvanized steel sheets with proper thickness and epoxy painted .
- Body is made of galvanized steel sheets and fabricated by galvanized bolts and nuts .
- Fans are centrifugal type , balanced .
- Eliminators are PVC or galvanized sheet metal
- Piping is galvanized pipe and fittings .
- Nozels are brass or PVC .
- Fillings are PVC pads .
- Motors are motogen : 380 – 3 – 50



### Cooling Tower counter flow

Engineering Data

Model No.	NOMINAL RATING		FAN		MOTORS		PUMP HEAD Ft.	WEIGHT (kg)	
	TONS	GPM	No.	SIZE	No.	KW		NET	OPER.
ICT 10-1	10	30	1	355	1	0.75	22	350	440
ICT 15-1	15	45	1	400	1	1.1	22	450	550
ICT 20-1	20	60	1	450	1	1.5	22	500	670
ICT 25-1	25	75	1	450	1	2.2	22	600	800
ICT 30-1	30	90	1	500	1	2.2	22	700	1050
ICT 35-1	35	105	1	560	1	3	22	820	1250
ICT 40-1	40	120	1	560	1	4	22	900	1370
ICT 50-1	50	150	1	560	1	5.5	23	1050	1680
ICT 60-1	60	180	1	560	1	5.5	23	1200	2000
ICT 75-1	75	220	2	560	2	4	23	1500	2500
ICT 90-1	90	270	2	560	2	4	23	1650	2800
ICT 105-1	105	315	2	560	2	4	23	1750	3150
ICT 120-1	120	360	3	560	3	4	23	2500	4150
ICT 140-1	140	420	3	560	3	4	23	3000	5000
ICT 160-1	160	480	4	560	4	4	23	3500	5800
ICT 180-1	180	540	4	560	4	4	23	3550	5850
ICT 220-1	220	660	5	560	5	4	23	4200	7000
ICT 260-1	260	780	6	560	6	4	23	5000	8500
ICT 300-1	300	900	7	560	7	4	23	5600	9500
ICT 340-1	340	1020	8	560	8	4	23	6400	10800
ICT 340-2	340	1020	8	560	8	4	23	6500	11000
ICT 400-2	400	1200	10	560	10	4	23	7000	12500
ICT 450-2	450	1350	12	560	12	4	23	9000	15800
ICT 500-2	500	1500	12	560	12	4	23	9500	16000
ICT 580-2	580	1740	14	560	14	4	23	10000	17500
ICT 660-2	660	1980	16	560	16	4	23	12500	21500
ICT 740-2	740	2220	18	560	18	4	23	14000	24000
ICT 820-2	820	2460	20	560	20	4	23	15500	26500
ICT 900-2	900	2700	22	560	22	4	23	17000	29500
ICT 980-2	980	2940	24	560	24	4	23	17500	31000
ICT 1060-2	1060	3180	26	560	26	4	23	20000	35000
ICT 1140-2	1140	3420	28	560	28	4	23	22000	37500



## Cooling Tower

### Closed Circuit

Is used for cooling water and other fluids.

fluid temperature drops without contacting the air , so air contaminants don't mix with the fluid . They are fabricated in three main parts.

- 1- Coil section
- 2- Fan section
- 3- Water shower section and basin .

1- The **coil section** is made of copper tubes .

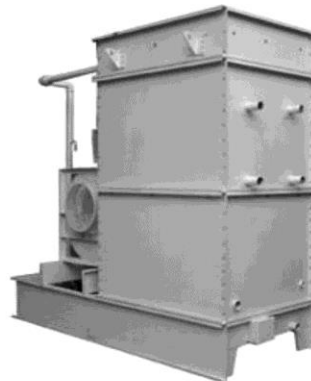
Stainless Steel pipe and galvanized steel pipes are options per order .

2- The **fan** is centrifugal forward curved type , statically and dynamically balanced . fan capacity depends on tower capacity and its cross sectional area . Motor is motogen : 380 – 3 – 50

3- **Water shower** section is made of galvanized steel pipes and brass nozzles .

Basins are made of galvanized steel sheets and epoxy painted .

Pump is selected from famous brands .



## COOLING TOWER

### FIBER GLASS BOTTLE TYPE

- Capacity from 8 to 1400 Tons.
- Basin and Body is made of Rain forced Gel coated fiber glass.
- Fan is Axial type made of Rain forced Fiber Glass or Aluminum.
- Fillings are PVC pads (PP optional)
- Eliminators are PVC
- Nozzles are square splash and p.p. in material.
- Motors are 380-3-50 and IP55 Class F.



## مشخصات فنی برج خنک کننده استوانه ای

MODEL	NOMINAL WATER FLOW (GPM)	FAN & MOTOR				DIMENSIONS (Cm)						WEIGHT (kg)				Conn. in.
		DIA (Cm)	POWER (KW)	NOMINAL AIR FLOW (CFM)	DRIVE	STANDARD		LOW NOISE		STANDARD		LOW NOISE				
						DIA	HEIGHT	DIA	HEIGHT	DIA	HEIGHT	DIA	HEIGHT			
ICTFB - 8	28	60	1.1	2900	DD	90	150	126	220	70	146	94	170	1 1/2		
ICTFB - 10	35	60	1.1	3100	DD	90	160	126	230	84	166	108	190	1 1/2		
ICTFB - 15	53	80	1.1	6300	DD	115	170	152	240	110	245	137	272	2		
ICTFB - 20	71	80	1.1	7000	DD	145	175	180	246	144	298	172	326	2		
ICTFB - 25	88	90	1.1	7700	DD	145	200	180	270	155	369	183	341	3		
ICTFB - 30	105	90	1.1	8400	DD	145	200	183	280	197	400	227	430	3		
ICTFB - 40	141	90	1.5	9400	DD	180	200	215	280	230	469	260	499	3		
ICTFB - 50	176	90	1.5	11300	DD	180	225	218	301	305	605	336	636	3		
ICTFB - 60	212	112	1.5	14500	BD	210	230	260	323	359	668	395	704	4		
ICTFB - 80	282	112	1.5	17000	BD	210	255	260	305	405	766	443	804	4		
ICTFB - 90	318	112	1.5	21800	BD	260	220	311	345	551	946	599	994	4		
ICTFB - 100	352	126	1.5	24000	BD	260	250	311	315	638	1062	684	1108	4		
ICTFB - 125	442	143	2.2	27000	BD	290	240	323	345	739	1163	795	1219	5		
ICTFB - 150	528	143	4	29000	BD	290	265	323	359	866	1545	923	1602	5		
ICTFB - 175	618	173	4	33000	BD	330	255	363	349	1076	1755	1139	1818	6		
ICTFB - 200	705	173	4	47000	BD	377	295	415	392	1301	3002	1369	3070	6		
ICTFB - 225	795	173	5.5	57000	BD	377	325	415	421	1506	3206	1574	3274	6		
ICTFB - 250	880	227	5.5	66500	BD	440	330	499	462	1775	3475	1856	3556	6		
ICTFB - 300	1050	227	5.5	77000	BD	440	340	499	436	1866	3537	1925	3623	8		
ICTFB - 350	1230	227	7.5	83500	BD	490	350	541	485	2018	4018	2116	3920	8		
ICTFB - 400	1410	227	11	91000	BD	490	380	541	515	2305	4305	2403	4403	8		
ICTFB - 450	1580	227	11	106600	BD	550	410	606	524	2830	6113	2939	6222	8		
ICTFB - 500	1770	227	11	119600	BD	550	440	606	554	3235	7800	3344	7909	8		
ICTFB - 600	2120	327	11	139600	BD	850	460	731	564	4384	11479	4505	11600	10		
ICTFB - 700	2460	327	15	170000	BD	650	480	731	586	5097	6395	5219	12341	10		
ICTFB - 800	2830	357	18.5	197200	BD	750	510	831	637	6260	7164	6395	13974	12		
ICTFB - 1000	3520	357	22	217800	BD	750	530	831	657	7030	9800	7164	17962	12		
ICTFB - 1250	4400	401	22	270000	BD	870	560	951	690	9650	10900	9800	18782	12		
ICTFB - 1400	4700	401	30	310000	BD	870	590	951	720	10650	20251	10900	20501	12		

## COOLING TOWER

### FIBER GLASS CUBIC TYPE

- Capacity from 10 to 1000 Tons.
- Basin and Body is made of Rain forced Gel coated fiber glass.
- Fan is Axial type made of Rain forced Fiber Glass or Aluminum.
- Fillings are PVC pads (PP optional)
- Eliminators are PVC
- Nozzles are square splash and p.p. in material.
- Motors are 380-3-50 and IP55 Class F.



## مشخصات فنی برج خنک کننده مکعبی

MODEL	NOMINAL WATER FLOW (GPM)	FAN & MOTOR				DIMENSIONS (Cm)				WEIGHT (kg)				PUMP HEAD (m.H2O)	Conn. In.
		DIA (Cm)	POWER (KW)	NOMINAL AIR FLOW (CFM)	DRIVE	STANDARD		STANDARD		LOW NOISE		Conn. In.			
						Length	With	HEIGHT	DRY	OPER.	DRY		OPER.		
ICTFC-10	35	60	1.1	3100	DD	100	100	220	84	166	108	190	1.3	1 1/2	
ICTFC-15	53	60	1.1	6300	DD	100	100	220	110	245	137	272	1.6	2	
ICTFC-20	71	60	1.1	7000	DD	100	100	240	144	298	172	326	1.6	2	
ICTFC-30	105	85	1.1	8400	DD	125	125	310	197	400	227	430	2	3	
ICTFC-40	141	85	1.5	9400	DD	125	125	320	230	469	260	499	2	3	
ICTFC-50	176	100	1.5	11300	DD	150	150	310	305	605	336	636	2.2	3	
ICTFC-60	212	100	1.5	14500	BD	150	150	320	359	668	395	704	2.5	4	
ICTFC-80	282	120	1.5	17000	BD	170	170	320	405	766	443	804	2.5	4	
ICTFC-90	318	120	1.5	21800	BD	190	190	320	551	946	599	994	3.1	4	
ICTFC-100	352	126	1.5	24000	BD	200	200	320	638	1062	684	1108	3.1	4	
ICTFC-125	442	143	2.2	27000	BD	215	215	330	739	1163	795	1219	3.5	5	
ICTFC-150	528	143	4	29000	BD	220	220	340	866	1545	923	1602	3.5	5	
ICTFC-175	618	173	4	33000	BD	220	220	360	1076	1755	1139	1818	3.8	6	
ICTFC-200	705	173	4	47000	BD	250	250	360	1301	3002	1369	3070	4.4	6	
ICTFC-225	795	173	5.5	57000	BD	250	250	360	1506	3206	1574	3274	4.4	6	
ICTFC-250	880	227	5.5	66500	BD	250	250	410	1775	3475	1856	3556	4.7	6	
ICTFC-300	1050	227	5.5	77000	BD	300	300	410	1866	3537	1925	3623	4.7	8	
ICTFC-350	1230	227	7.5	83500	BD	320	320	420	2018	4018	2116	3920	5	8	
ICTFC-400	1410	227	11	91000	BD	320	320	440	2305	4305	2403	4403	5	8	
ICTFC-450	1580	227	11	106600	BD	350	350	440	2830	6113	2939	6222	5.3	8	
ICTFC-500	1770	227	11	119600	BD	350	350	450	3235	7800	3344	7909	5.3	8	
ICTFC-600	2120	327	11	139600	BD	380	380	450	4384	11479	4505	11600	5.6	10	
ICTFC-700	2460	327	15	170000	BD	410	410	480	5097	6395	5219	12341	5.6	10	
ICTFC-800	2830	357	18.5	197200	BD	410	410	480	6260	7164	6395	13974	6.2	12	
ICTFC-1000	3520	357	22	217800	BD	480	480	510	7030	9800	7164	17962	6.2	12	

## ZENT



**ISFAHANDAMA ZENT** units are produced in 8 models with the following Specifications.

- Air delivery : 1500 to 22000 CFM
  - Heating capacity : 86 to 1459 MBH for hot water .
  - Steam coils are optional parts .
  - Coils are made of 5/8" copper tubes and aluminum fins .( 1/2" seamless steel pipe as required )
  - Efficient cellulose pads in two types are used .
  - Suitable for dry warm areas .
  - Motor power : 0.55 to 7.5 KW .
  - Electrical characteristics : 380 – 3 – 50 ( Models IDZ – 020 to IDZ – 050 : 220 – 1 – 50 as required )
  - Centrifugal fans are forward Curved statically and dynamically balanced to lower noise level and vibrations.
  - Summer and winter dampers are aluminum O.B. types .
  - Filters are available as required .
-

**ZENT**  
Technical Specifications

Model	CFM	Motor KW	Fan Size	4" PAD			8" PAD			2 Row Coil			3 Row Coil			P.D. Ft
				Cooling Cap MBH	LDBT °F	Area Ft <sup>2</sup>	Cooling Cap MBH	LDBT °F	Area Ft <sup>2</sup>	F.A. Ft <sup>2</sup>	Cap. BTU/hr	GPM	P.D. Ft	F.A. Ft <sup>2</sup>	Cap. BTU/hr	
IDZ - 020	1500	0.55	355	31.59	75.5	5	41.8	69.5	5	86675	10	0.53	113678	12	0.89	
	2000	0.75		55.73			99886			134142						
	2500	0.75		52.65			110362			150696						
IDZ - 035	3000	1.1	400	63.18	75.5	8	83.59	69.5	8	154813	17	0.72	205747	20	1.19	
	3500	1.1		97.52			166601			223915						
	4000	1.5		84.24			176944			239985						
IDZ - 050	4500	2.2	500	94.77	75.5	12	125.39	69.5	12	238620	26	1.46	319743	34	2.4	
	5000	2.2		105.3			251590			340108						
	5500	2.2		115.83			263518			358995						
IDZ - 075	6000	2.2	560	126.36	75.5	17	167.18	69.5	17	274540	40	2.5	376574	55	2.6	
	6500	2.2		136.89			375616			497980						
	7500	3		157.95			405145			544245						
IDZ - 100	8500	3	560	179.01	75.5	22	236.84	69.5	22	431625	55	2.2	586282	70	3.95	
	9000	4		189.5			518982			679608						
	10000	4		210.6			549353			725484						
IDZ - 125	11000	4	630	231.66	75.5	27	302.94	69.5	27	577448	70	2.77	768253	90	4.1	
	11500	5.5		242.19			644878			849183						
	12500	5.5		263.25			674328			893913						
IDZ - 150	13500	5.5	710	284.31	75.5	34	376.16	69.5	34	701986	80	3.21	936097	105	4.9	
	14000	5.5		294.84			757637			1005732						
	15000	5.5		315.9			785633			1048655						
IDZ - 200	16000	5.5	800	336.96	75.5	44	445.82	69.5	44	812230	105	3.7	1089562	135	7.3	
	17000	7.5		358.02			837530			1128692						
	18000	7.5		379.08			980128			1294135						
IDZ - 200	20000	7.5	800	421.2	75.5	44	557.28	69.5	44	1036498	105	3.7	1379451	135	7.3	
	22000	7.5		463.32			613.01			1088606			1458870			

## Unit Heater

- Capacity 23 to 410 MBH
- Heating air by hot water , steam , hot oil and electric power
- axial flow fans , statically and dynamically balanced and low noise .
- Coils are made of copper tubes and aluminum fins ( spiral and Fin plate ) .  
(seamless steel pipe , galvanized steel pipe and stainless steel pipe as options )
- outlet damper blades for spot heating and air flow direction is installed .
- suspended and floor mounted types.
- Horizontal and vertical air flow types .





**HOT WATER  
2 ROW COIL  
1450 RPM**

Model NO.	CFM	Dia.	W.	V	AMP.	L.A.T °F	GPM	L.W.T °F	P.D. Ft.	BTU/hr
U2 W8	650	300	180	380	0.44	98	3	162	0.13	26206
						102	4	165	0.23	28722
						104	5	167	0.36	30530
U2 W10	1000	350	200	380	0.5	101	5	162	0.34	43591
						103	6	164	0.48	45948
						105	7	166	0.65	47824
U2 W12	1500	400	215	380	0.5	103	8	162	0.34	68124
						104	9	164	0.43	70259
						105	10	165	0.53	72083
U2 W14	2000	450	370	380	0.75	104	10	161	0.5	92182
						106	12	163	0.7	96548
						107	14	165	0.95	99957
U2 W16	2600	500	700	380	1.3	105	14	162	0.51	124934
						107	16	163	0.64	128865
						108	18	165	0.8	132122
U2 W18	3400	500	700	380	1.3	106	18	161	0.75	163922
						107	20	163	0.92	167856
						108	22	164	1.1	171237
U2 W20	4200	600	710	380	1.3	106	22	161	1.1	204904
						107	25	163	1.1	210629
						109	28	164	1.3	215387

**HOT WATER  
2 ROW COIL  
950 RPM**

Model NO.	CFM	Dia.	W.	V	AMP.	L.A.T °F	GPM	L.W.T °F	P.D. Ft.	BTU/hr
U2 W8	450	300	90	220	0.43	107	3	165	0.13	22512
						111.5	4	167	0.23	24302
						114	5	169	0.36	25553
U2 W10	800	350	100	220	0.48	107	5	164	0.34	39570
						109	6	166	0.48	41476
						111	7	167	0.65	42976
U2 W12	1100	400	110	220	0.52	111	8	165	0.34	58978
						112	9	166	0.43	60538
						113	10	167	0.53	61857
U2 W14	1500	450	175	220	0.8	111	10	163	0.5	80589
						113	12	166	0.7	83820
						115	14	167	0.95	86321
U2 W16	2000	500	170	220	0.7	112	14	164	0.51	109976
						114	16	165	0.64	112944
						115	18	167	0.8	115387
U2 W18	2500	500	170	220	0.7	114	18	164	0.76	140773
						115	20	165	0.92	143593
						116	22	166	1.1	145997
U2 W20	3300	600	300	220	1.5	113	22	163	1.1	181814
						114	25	165	1.1	186225
						115	28	166	1.34	189864

**Based on : 60 °F E.A.T. – 180 °F E.W.T**

## Unit Heater Gas Fired

### Features and capabilities :

- Safe and reliable operation , so that if in any case pilot turns off , the gas flow will completely be turned off .
- Capable to operate with natural Gas or LPG .
- Capacity adjustment .
- Room thermostat . ( as an option – by others )
- Limit thermostat
- Fan and burner thermostats .
- Circuit breaker switch .
- Ventillation in summer .
- High efficiency to lower gas consumption and energy savings .

MODEL NO.	IGH – 50P	
Gas Type	NATURAL	LP
Gas Consumption	5.0 m <sup>3</sup> / hr	4.0 Kg / hr
Gas Pressure	178 mm H <sub>2</sub> O	280 mm H <sub>2</sub> O
Capacity	40000 kcal / hr	
Air Supply	5850 m <sup>3</sup> / hr	
Electrical Data	220 – 1 - 50	
Dimensions	L	645
	W	605
	H	1020
Chimney	Ø150	
Weight	94 kg	



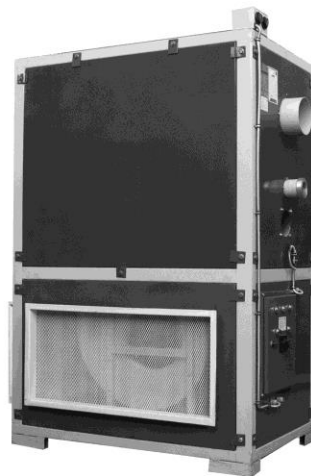
## WARM AIR FURNACE

**used in :** industrial plants , Workshops , sport buildings , poultries, Greenhouses , Banks , Mosques , Dormitories and public areas.

**Features :**

- No need to central mechanical room and other equipments.
- Used new technology and relative standards.
- Maximized heat transfer rate and efficiency.
- Body is insulated and made in 3 layers .
- Fan is centrifugal FC type, balanced and quiet opration.
- Room temperature is controled by thermostat. ( by others )
- Suitable to use natural gas or diesel fuel oil burner .
- Unit maybe installed indoor or outdoor.
- Air filter will be installed if ordered.

MODEL NO.	CAPACITY Kcal/hr ×1000	AIR DELIVERY M <sup>3</sup> /hr	MOTOR KW	DIMENSIONS Cm			WEIGHT Kg
IDH - 60	60	4800	0.55	77	110	195	220
IDH - 80	80	6400	0.75	85	135	200	355
IDH-100	100	8000	1.5	85	135	205	370
IDH-150	150	12000	2.2	93	170	230	556
IDH-200	200	16000	3	125	170	245	720
IDH-250	250	20000	4	125	200	255	910
IDH-300	300	24000	4	125	250	255	1100
IDH-400	400	27000	4	125	250	280	1340



## HEATER COOLER

**Features :**

- No need to central mechanical room and equipments .
- Supplies heating in winter and evaporative cooling in summer .
- May be used as humidifier in all seasons .
- Maybe used as ventilating unit in moderate seasons .
- Room temperature is controlled by thermostat . ( by others )
- Air relative humidity can be controlled .
- Fan is centrifugal FC type balanced and quiet operation .
- Heating section body is insulated and manufactured in 3 layers .
- Suitable to use gas or diesel fuel oil burner .
- Air filter may be installed if ordered .
- Evaporative cooling in summer and direct heating in winter .
- Automatic electrical panel equipped by summer-winter switch .
- Fresh and return air is controlled by manual operated dampers .
- Unit is furnished by limit and fan thermostats .

MODEL NO .	Air Delivery M <sup>3</sup> /hr	Heating Cap. Kcal/hr ×1000	Return Damper	Motor KW	Dimensions			Weight Kg
					W	L	H	
IDHC 70 - 40	7000	40	410 × 1050	1.1	1130	1792	1380	350
IDHC 100-60	10000	60	510 × 1050	1.5	1130	2300	1380	400
IDHC 150-80	15000	80	610 × 1320	3	1400	2730	1500	560
IDHC 200-100	20000	100	710 × 1520	4	1600	2730	1650	700
IDHC 250-125	25000	125	810 × 1840	4	1920	3320	1800	800
IDHC 300-150	30000	150	910 × 1840	5.5	1920	3680	1820	1000
IDHC 400-200	40000	200	910 × 2220	7.5	2300	3680	2320	1300
IDHC 500-300	50000	300	910 × 2220	11	2300	3680	2320	1470

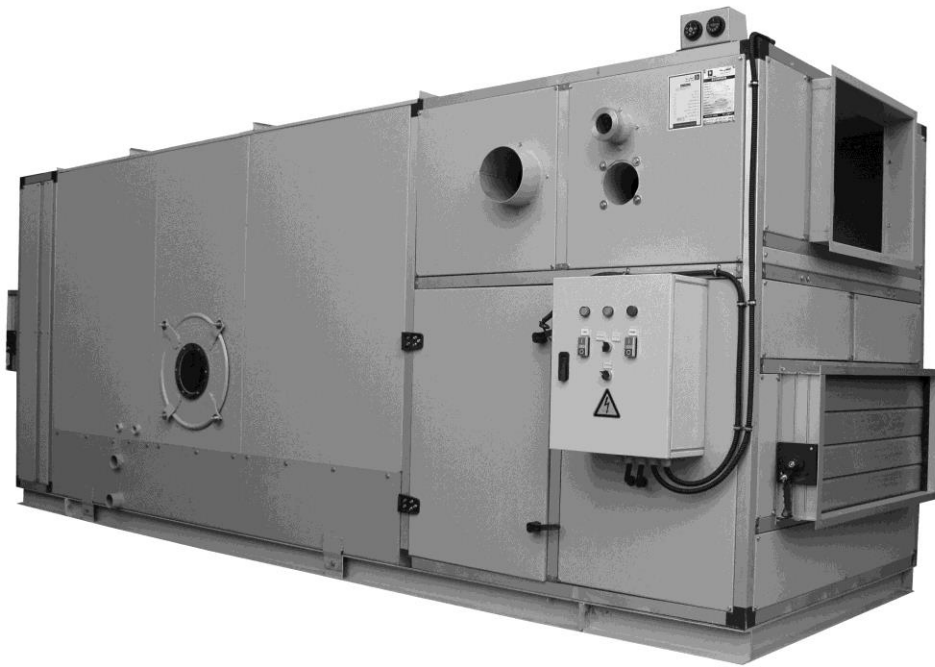


## ECONOPACK

**Econopack** is a heating/cooling equipment , used for large areas and where there is not central mechanical room available . Specifications are the same for air washer class 6 & 8 for cooling section , and same as warm air furnace for the heating section .

**Selection :**

Normally equipment is selected for summer conditions to supply proper air volumes . The heating section is selected to compensate the heat loss of building .



**ECONOPACK  
PHYSICAL DATA**

Model NO. IDAWH-	Nominal CFM	Fan		Filter Flat-Type Ft <sup>2</sup>	Class	Spray Water			Heating Cap. Kcal/hr	Burner No.	Width mm	Height mm	Length mm	Weight Kg.	
		QTY	Dia. mm			Spray	Nozzle No.	Flooding						Pump No.	Net
20-8-40	2000	1	315	4	6	8	2	1	40000	1	1100	1820	4500	970	1450
					8	12	2							1120	1820
35-8-60	3500	1	400	7	6	12	3	1	60000	1	1100	1820	4500	1170	1650
					8	22	3							1320	2020
50-8-80	5000	1	500	10	6	20	4	1	80000	1	1400	1820	4500	1410	2010
					8	32	4							1510	2360
75-8-100	7500	1	560	15	6	30	5	2	100000	1	1920	1920	4500	1700	2500
					8	50	5							1900	3100
100-8-150	10000	1	630	20	6	42	6	2	150000	1	1920	2320	4650	2060	2860
					8	60	6							2210	3410
150-8-200	15000	1	710	30	6	56	7	2	200000	1	2300	2500	4800	2380	3380
					8	96	7							2630	4080
200-8-250	20000	1	800	40	6	80	8	2	250000	1	2600	2700	4950	2930	4030
					8	126	8							3130	4780
250-8-300	25000	2	630	50	6	100	10	4	300000	2	3300	2350	4800	3700	5140
					8	160	10							3950	5950
300-8-400	30000	2	710	60	6	120	12	4	400000	2	3900	2550	4800	4500	6200
					8	192	12							4750	7200
400-8-500	40000	2	800	80	6	160	14	4	500000	2	5000	27500	4950	5520	7620
					8	256	14							5770	8870

## Evaporative Cooler

Evaporative cooler units are used in new or existing buildings

**Features:**

6 Models

Capacity : 14000 to 70000 m<sup>3</sup>/hr

Motor power : 2.2 to 11 KW

Electrical data : 380 -3- 50

Suitable for dry warm areas.

Efficient cellulose fiber or mesh type pads are used and protected by Galvanized mesh.

Basins are galvanized steel sheets and epoxy painted.

Structure :Anodized Aluminum Extruded Profile with relative corners and connections.

Body is made of galvanized steel sheets and fabricated by galvanized bolts and nuts.

Fans are forward curved blades ( DWDI ) ,equiped with Ck 45 Shaft and European or Japanese bearings and aluminum Pullies.

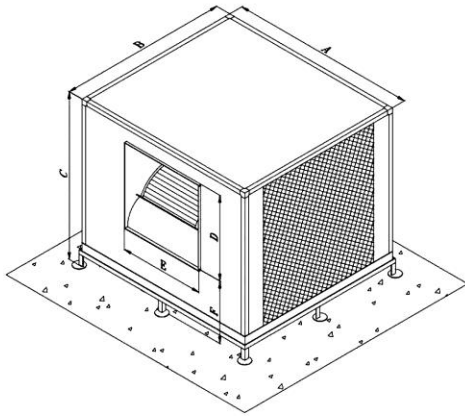
Motors are Motogen brand.

**Applications:** Restaurants , Sport halls , Industrial plants , Large areas and...

Model	m <sup>3</sup> /hr	S.P. Pa	Fan Size	Motor Kw	Weight Kg
EC - 140	14000	250	Fc-560	2.2	220
EC - 170	17000	250	Fc-560	3	240
EC - 280	28000	250	Fc-630	4	330
EC - 420	42000	250	Fc-800	7.5	460
EC - 550	55000	250	Fc-1000	7.5	550
EC - 700	70000	250	Fc-1000	11	620

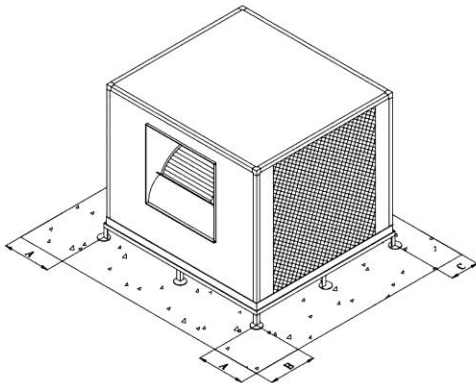
## Evaporative Cooler

### Dimensions



Model	A	B	C	D	E	F
EC - 140	1500	1150	1580	710	710	570
EC - 170	1750	1150	1580	710	710	570
EC - 280	1750	1600	1580	800	800	610
EC - 420	2430	1880	1900	1000	980	725
EC - 550	2430	2270	2220	1250	1250	770
EC - 700	2430	2270	2220	1250	1250	770

### Service Area Requirements



Model	A	B	C
EC - 140	1000	1500	1000
EC - 170	1000	1500	1000
EC - 280	1000	1800	1000
EC - 420	1500	2000	1500
EC - 550	1500	2200	1500
EC - 700	1500	2200	1500

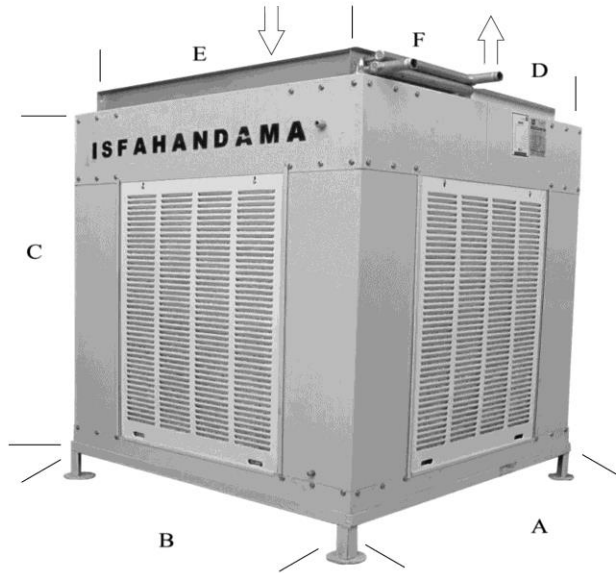


## Super Cooler

Is a kind of evaporative cooler equipped with heating coil in a residential application or small areas , where hot water is available .

- 5 models
- Supply Air : 1350 to 7000 CFM
- Motor Power : 0.37 to 1.5 KW
- Electrical Data : 380 – 3 – 50 ( 220 – 1 – 50 if ordered )
- Suitable for dry warm areas .
- Efficient cellulose fiber or mesh type pads .
- Basins are galvanized steel sheets and epoxy painted .
- Body is made of galvanized steel sheets and fabricated by galvanized bolts and nuts.
- Fans are forward curved blades (DWDI) equipped with Ck45 shaft , European or japanese bearings and aluminum pullys .
- Motors are motogen type .





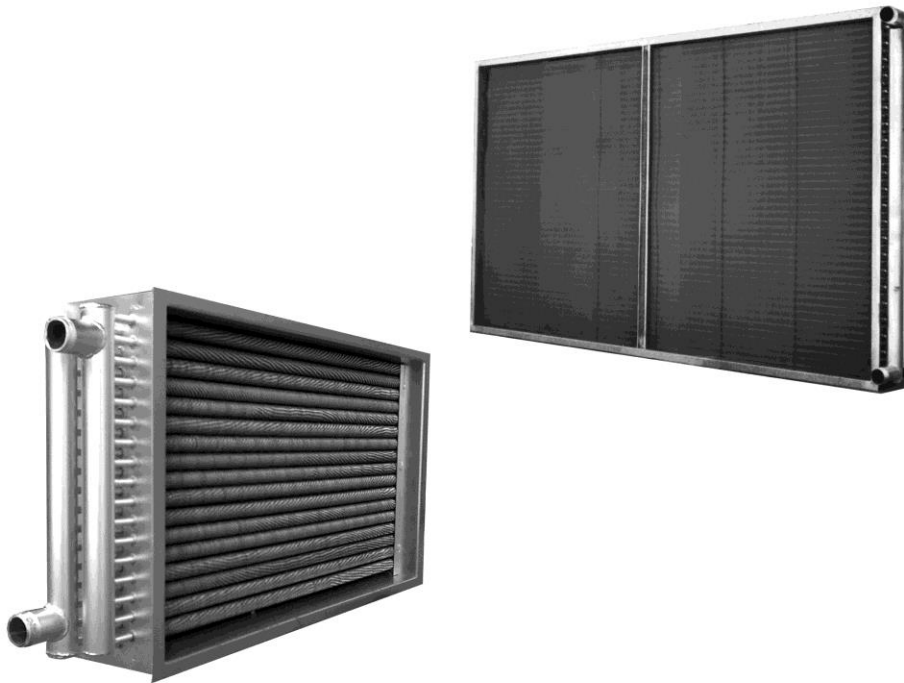
## Super Cooler

### Engineering Data

Model No.	Air Supply				S.P. (pa) T.	Fan Size FC -	Mototr KW (HP)	Dimensions ( cm)						Weight Kg
	Summer		Winter					A	B	C	D	E	F	
	CFM	M <sup>3</sup> /hr	CFM	M <sup>3</sup> /hr										
ISC - 30	3000	5100	1350	2170	80	355	0.37 (0.55)	98	98	114	40	90	40	115
ISC - 40	4000	6800	1800	3060	80	400	0.55 (0.75)	105	105	120	45	100	45	120
ISC - 50	5000	8500	2250	3825	80	400	0.75 (1.0)	105	105	120	45	100	45	125
ISC - 60	6000	10200	2700	4590	100	450	0.75 (1.0)	115	115	125	50	108	50	140
ISC - 70	7000	11900	3150	5355	100	450	1.1 (1.5)	115	115	125	50	108	50	145

## Heating / Cooling Coils

- 1 to 12 rows of tubes are available .
- tubes are copper in any thickness 5/8" and fins are aluminum spiral wound .
- Seamless Carbon steel and galvanized steel pipes are options .
- headers are copper or steel material .
- copper or steel fins are options .
- Types of coils are :
  - Hot water ( heating )
  - Chilled water ( cooling )
  - Steam standard and heavy – duty for high pressures and steam distributing coils for freeze protection applications .
  - Direct expansion evaporator (DX)
  - Condenser



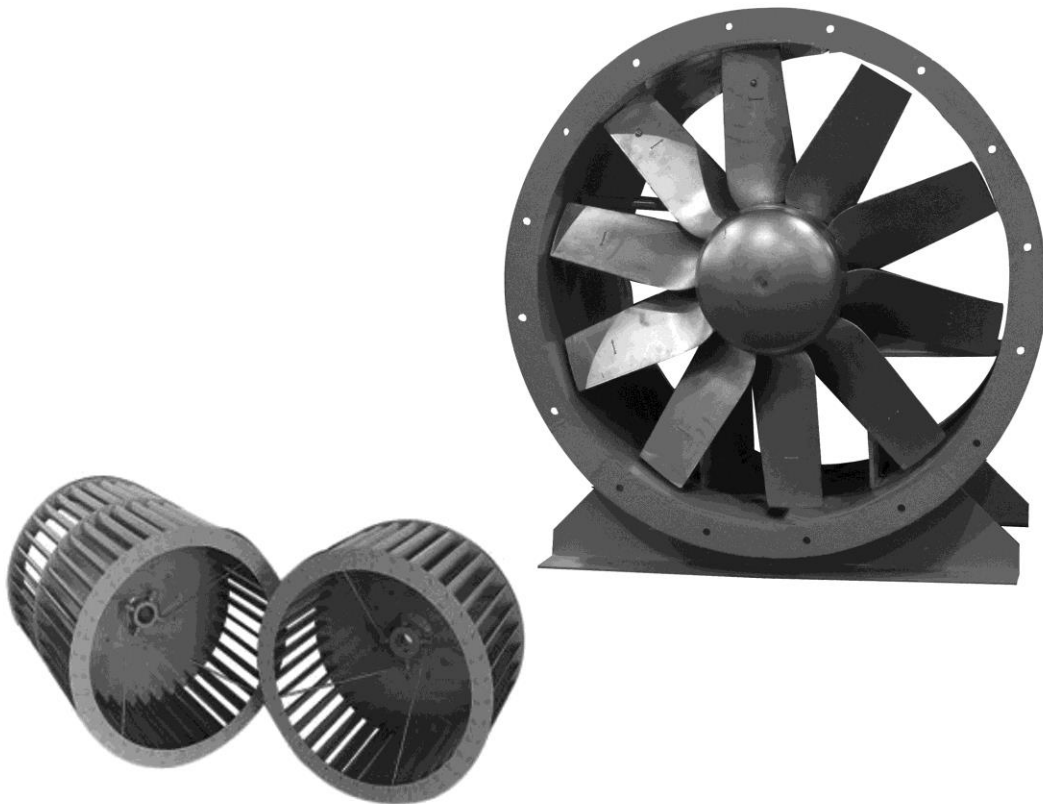
## FAN

Fans are manufactured in two main groups , axial fans and centrifugal fans . In axial fans air flow direction is parallel to the fan axis . The types of axial fans depend on blades , shape , form , material and air flow direction .

Centrifugal fans manufactured by **ISFAHANDAMA** are as the following types :

- Forward curved blades SWSI
- Forward curved blades DWDI
- Backward curved blades SWSI
- Backward curved blades DWDI
- Backward inclined blades

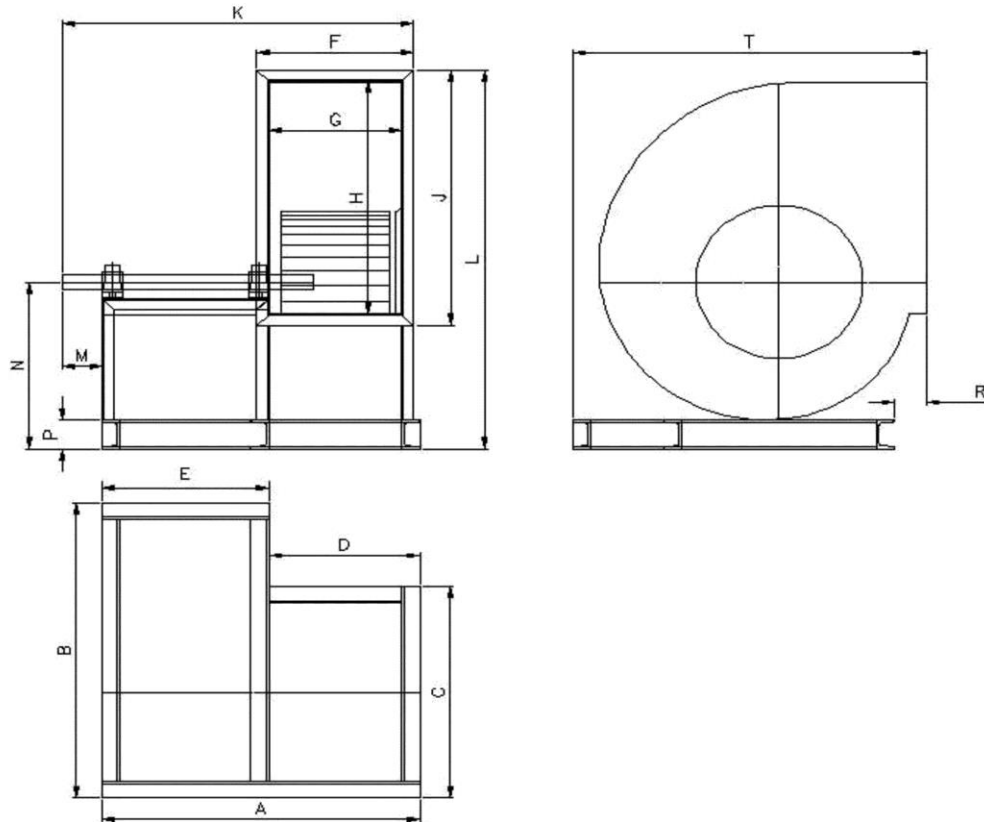
Performance , characteristics , and dimensions are given in the related catalogs .



## UTILITY CENTRIFUGAL FAN

Forward Curved Blades

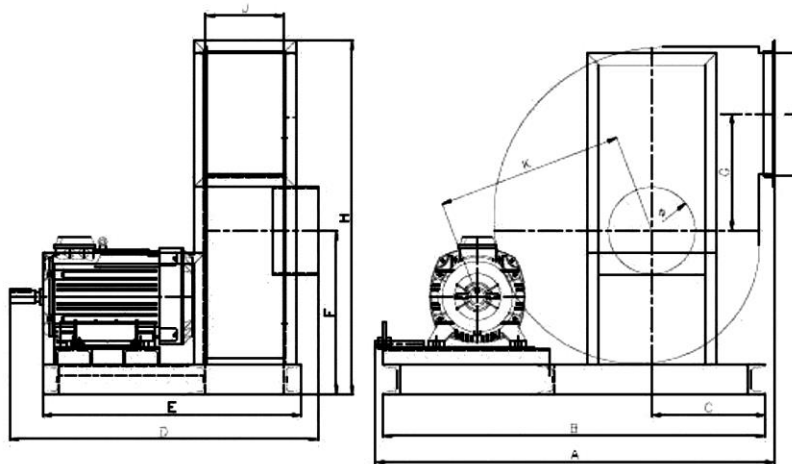
Dimensions



MODEL	A	B	C	D	E	F	G	H	J	K	L	M	N	P	R	T
IDFC - 230	535	495	265	205	325	240	180	290	350	615	530	80	245	65	60	555
IDFC - 250	565	590	380	235	330	260	200	325	385	640	570	80	260	65	20	610
IDFC - 280	585	575	380	250	335	275	215	360	420	660	625	80	280	65	40	615
IDFC - 315	630	600	415	270	360	295	235	400	465	720	690	100	305	65	45	645
IDFC - 355	650	685	450	290	360	315	255	455	515	740	760	100	335	65	50	740
IDFC - 400	710	720	490	310	400	340	280	500	565	810	840	100	370	65	65	790
IDFC - 450	745	760	540	340	405	370	310	570	630	840	935	100	405	65	70	840
IDFC - 500	875	900	610	405	470	425	365	640	700	995	1040	120	460	80	80	990
IDFC - 560	900	930	685	435	465	455	395	710	770	1020	1150	120	500	80	80	1020
IDFC - 630	935	1020	765	475	460	490	430	800	860	1050	1275	120	550	80	85	1120
IDFC - 710	1050	1100	945	540	510	545	485	900	960	1155	1460	120	650	120	90	1200
IDFC - 800	1180	1125	1040	610	570	635	555	1000	1085	1280	1740	120	720	120	110	1235
IDFC - 900	1355	1260	1120	695	660	740	640	1125	1225	1470	1820	120	800	120	90	1350
IDFC - 1000	1450	1230	1065	725	725	770	670	1255	1355	1570	1950	120	830	120	170	1405

## Centrifugal Fan Backward Curved Blades

### SWSI

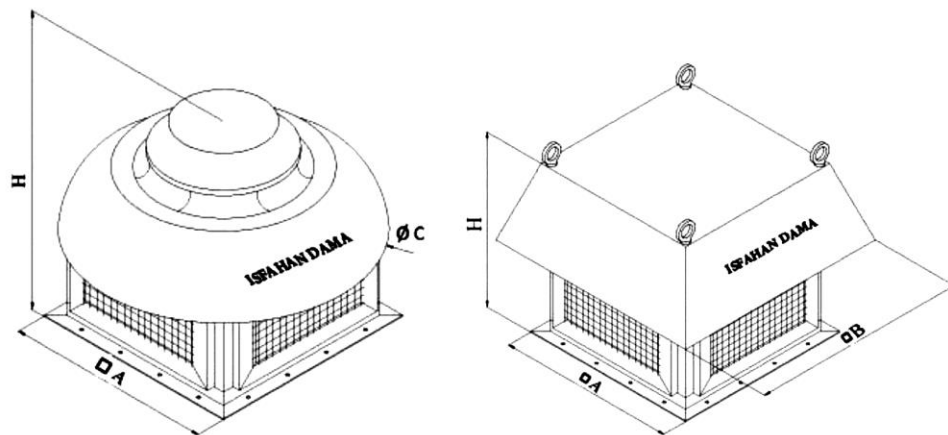


### DIAMENSIONS

CW 90  
CCW 90

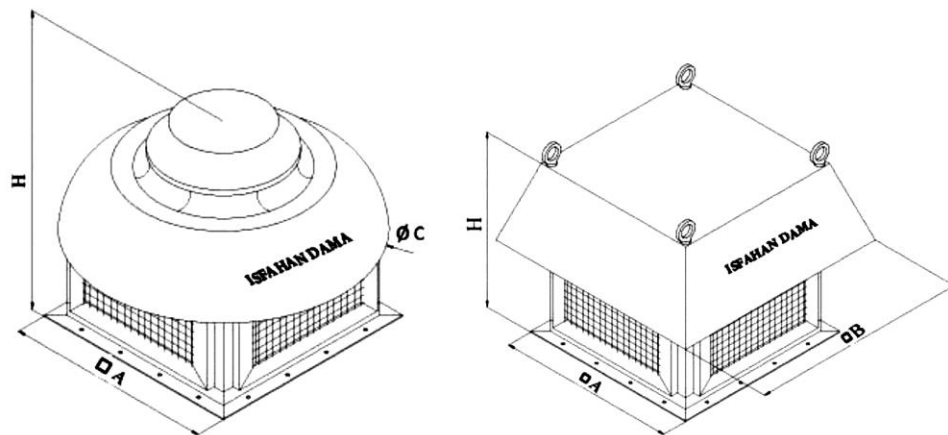
MODEL	A	B	C	D	E	F	G	H	I	J	ø	K
IDFB - 280	790	750	220	630	520	330	220	690	210	160	ø 160	340
IDFB - 315	880	850	250	670	550	360	240	760	260	160	ø 180	400
IDFB - 355	980	940	270	710	600	390	270	840	290	180	ø 200	460
IDFB - 400	1060	1010	300	810	680	430	310	930	320	210	ø 230	490
IDFB - 450	1100	1050	340	890	740	470	350	1030	370	230	ø 260	510
IDFB - 500	1320	1260	370	1060	880	520	380	1150	410	260	ø 290	650
IDFB - 560	1170	1100	400	940	800	590	460	1290	410	290	ø 330	550
IDFB - 630	1660	1570	440	1110	950	660	500	1440	480	320	ø 370	840
IDFB - 710	1690	1580	480	1130	960	730	560	1610	540	360	ø 420	920

**POWER ROOF VENTILATOR  
DIMENSIONS**



Model	A	ØC	B	H
IDRP-200	474	Ø650	-	460
IDRP-225	524	Ø750	-	540
IDRP-250	554	Ø750	-	580
IDRP-280	574	-	850	670
IDRP-315	624	-	900	690
IDRP-355	672	-	950	722.5
IDRP-400	712	-	990	755
IDRP-450	742	-	1020	780
IDRP-500	772	-	1050	826
IDRP-560	850	-	1130	865
IDRP-630	950	-	1210	1030
IDRP-710	1090	-	1350	1065
IDRP-800	1190	-	1450	1130

**POWER ROOF VENTILATOR  
DIMENSIONS**



Model	A	ØC	B	H
IDRP-200	474	Ø650	-	460
IDRP-225	524	Ø750	-	540
IDRP-250	554	Ø750	-	580
IDRP-280	574	-	850	670
IDRP-315	624	-	900	690
IDRP-355	672	-	950	722.5
IDRP-400	712	-	990	755
IDRP-450	742	-	1020	780
IDRP-500	772	-	1050	826
IDRP-560	850	-	1130	865
IDRP-630	950	-	1210	1030
IDRP-710	1090	-	1350	1065
IDRP-800	1190	-	1450	1130





اصفهان دما  
ISFAHAN DAMA Co.

اصفهان - اتوبان ذوب آهن، سه راه نیروگاه، صندوق پستی ۳۹۹-۸۱۷۸۵ تلفن و دورنگار: ۰۳۱-۳۷۸۸۶۰۰۱-۶  
Niroogah st. Zobe Ahan High way - Esfahan / IRAN Tel & Fax: +98 31 37886001 - 6