



اصفهان دما  
ISFAHAN DAMA Co.

# EVAPORATIVE COOLER



220-1395-2



## اصفهان دما ISFAHAN DAMA Co.

Evaporative cooler units are used in new or existing buildings

### Features:

6 Models

Capacity : 14000 to 70000 m<sup>3</sup>/hr

Motor power : 2.2 to 11 KW

Electrical data : 380 -3- 50

Suitable for dry warm areas.

Efficient cellulose fiber or mesh type pads are used and protected by Galvanized mesh.

Basins are galvanized steel sheets and epoxy painted.

Structure : Anodized Aluminum Extruded Profile with relative corners and connections.

Body is made of galvanized steel sheets and fabricated by galvanized bolts and nuts.

Fans are forward curved blades ( DWDI ) ,equiped with Ck 45 Shaft and European or Japanese bearings and aluminum Pullies.

Motors are Motogen brand.

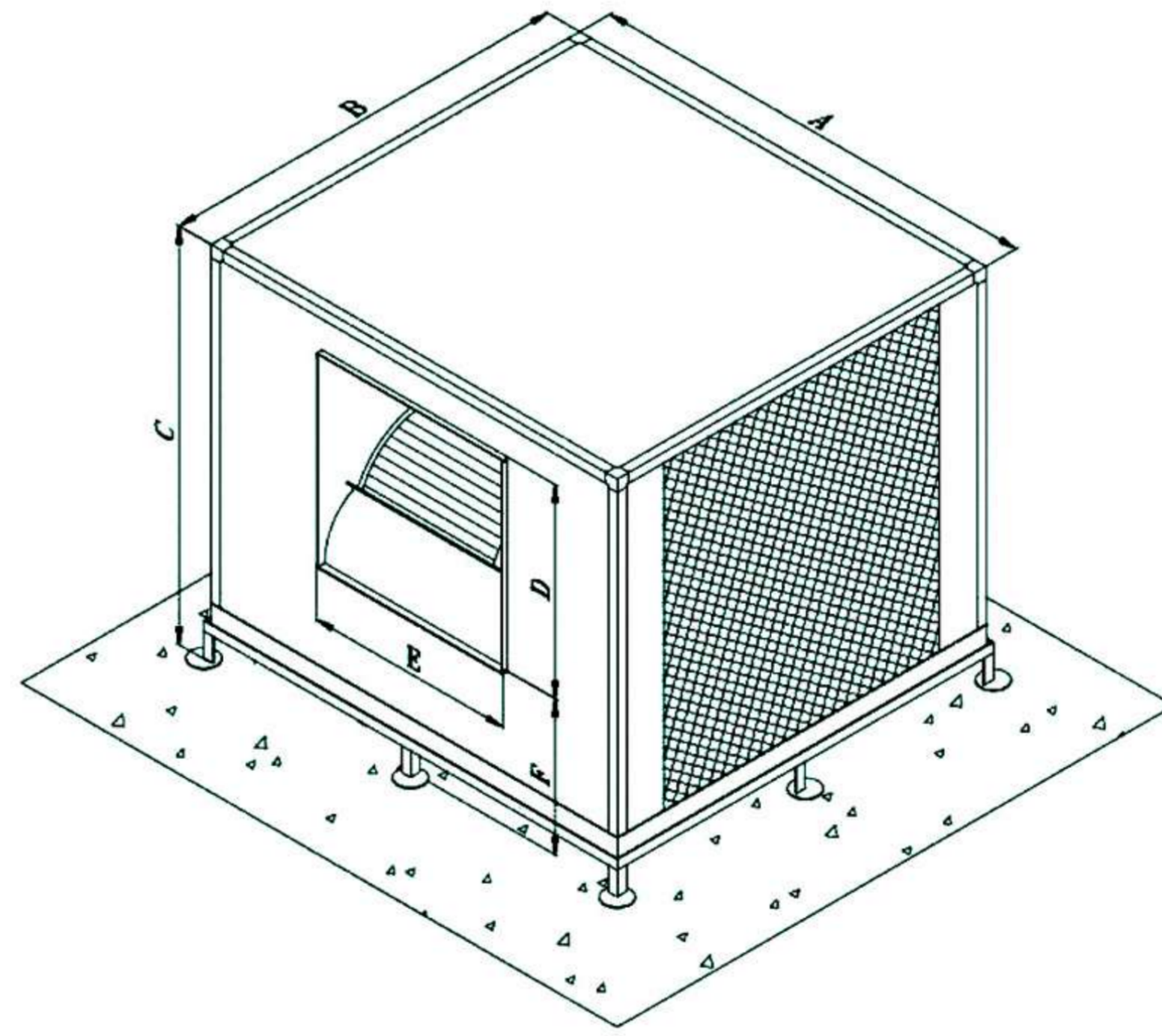
**Applications:** Restaurants , Sport halls , Industrial plants , Large areas and...

### General Data

Model	m <sup>3</sup> /hr	S.P. Pa	Fan Size	Motor Kw	Weight Kg
EC - 140	14000	250	Fc-560	2.2	220
EC - 170	17000	250	Fc-560	3	240
EC - 280	28000	250	Fc-630	4	330
EC - 420	42000	250	Fc-800	7.5	460
EC - 550	55000	250	Fc-1000	7.5	550
EC - 700	70000	250	Fc-1000	11	620

### Dimensions

Model	A	B	C	D	E	F
EC - 140	1500	1150	1580	710	710	570
EC - 170	1750	1150	1580	710	710	570
EC - 280	1750	1600	1580	800	800	610
EC - 420	2430	1880	1900	1000	980	725
EC - 550	2430	2270	2220	1250	1250	770
EC - 700	2430	2270	2220	1250	1250	770



### Service Area Requirements

Model	A	B	C
EC - 140	1000	1500	1000
EC - 170	1000	1500	1000
EC - 280	1000	1800	1000
EC - 420	1500	2000	1500
EC - 550	1500	2200	1500
EC - 700	1500	2200	1500

